

The i-8 is the smallest subwoofer manufactured by EM Acoustics, and represents a unique approach to low frequency reproduction in a small footprint enclosure. Updated in 2013, the i-8 now features neodymium drive units with higher excursion for improved reliability and reduced weight.

FEATURES AND BENEFITS

- Exceptional low frequency extension for enclosure size
- Compact enclosure dimensions for easy concealment when in use
- Effortlessly extends the operating band of any loudspeaker system
- Low enclosure height allows positioning under seating in bars/clubs

The i-8 was designed to provide a compact low frequency solution for a variety of applications. The unique design provides unprecedented sonic depth from an enclosure of this size. At home either as low frequency extension in cafés and bars or as an extra sonic effect in theatres and museums, the added low frequency that the i-8 can produce makes it suitable for many situations.

The enclosure contains four high power 8" (203mm) neodymium LF drive units, loaded as two compound isobaric pairs. This design gives a usable response down to 35Hz, without any artificial equalisation. The i-8 can therefore add 'depth and warmth' to any system, even where larger subwoofers would normally have been used.

The rugged enclosure is constructed from premium 15mm (3/4") multi-laminate



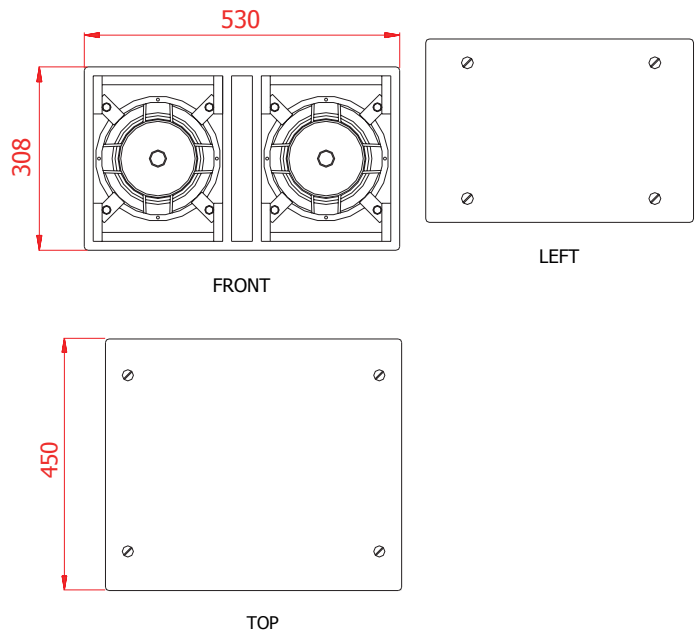
Birch plywood, rebated, screwed & glued together for maximum strength. Sixteen M10 threaded fixings are provided (four each side) to allow suspension of the enclosure if required. Connections are via two Neutrik SpeakON™ NL4MP connectors on a recessed rear panel for input & enclosure link. The enclosure is finished in black or white textured paint as standard, however RAL colour matching and weather protection options are available. Two perforated steel mesh grilles covered with acoustically transparent black foam protect the drive units from damage and moisture. For service purposes, the rear pair of drive units can be accessed via a removable door on the rear panel of the enclosure.

The i-8 requires active high/low pass filters and a single amplifier channel capable of delivering 600-1200W RMS into a 4 ohm load. For best results, the EM Acoustics AQ-10 or AD-9 amplifiers should be used.

TECHNICAL SPECIFICATIONS

ENCLOSURE TYPE:	Compound isobaric subwoofer
DIMENSIONS (HxWxD):	308 (12.1) x 530 (20.9) x 450 (17.7) mm/(ins)
NET/SHIPPING WEIGHT:	22/24kg (48.4/52.8lbs)
FREQUENCY RESPONSE ¹ :	35Hz – 150Hz +/- 3dB
SENSITIVITY ² :	93dB
DISPERSION ³ :	Omnidirectional
DRIVE UNITS:	4 x 8" (203mm) neodymium LF cone drive units
POWER HANDLING:	600W RMS, 1200W program
MAXIMUM SPL ⁴ :	122dB continuous, 128dB peak
NOMINAL IMPEDANCE:	4 ohms
CROSSOVER:	Active, recommended below 125Hz (24dB/Octave L-R)
CONNECTORS:	2 x Neutrik SpeakON™ NL4MP
ENCLOSURE:	15mm (5/8") multi-laminate Birch plywood – rebated, screwed & glued. Finished in impact resistant textured paint
RIGGING & SUSPENSION:	16 x M10 threaded fixings
GRILLE:	Hex punched steel covered with acoustically transparent black foam
OPTIONS:	Colours/Weather Protection
SPARE PARTS:	DU-806 8" (203mm) neodymium drive unit RK-806 recone kit RFG-i8 replacement foam/grille set

ENGINEERING DRAWING



ENCLOSURE OPTIONS

i-8 enclosures are supplied as standard in black or white. Any RAL colour can be supplied on request (extended lead time and setup charges apply). Weather protection options are also available to give enhanced protection to the loudspeaker when used outdoors for extended periods of time.

NOTES ON MEASUREMENT CONDITIONS:

¹Measured on-axis at 2m in an anechoic environment and referenced to 1m. ²Measured in half space at 2m with 4W sine wave input and referenced to 1m. ³Nominal dispersion, measured in an anechoic environment and averaged over stated bandwidth. ⁴Calculated and verified by subjective listening test of familiar program material.

