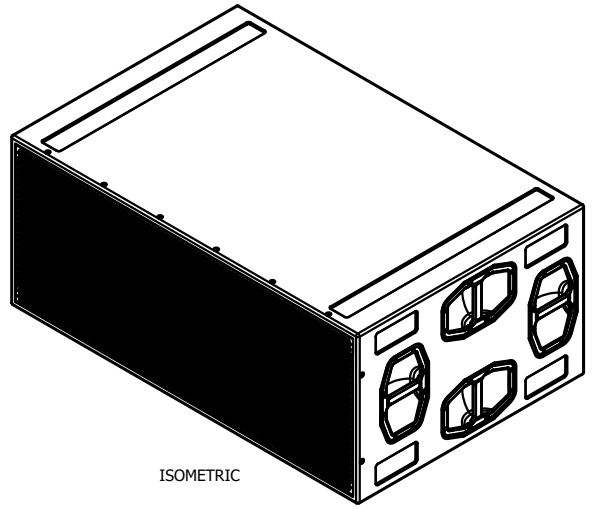
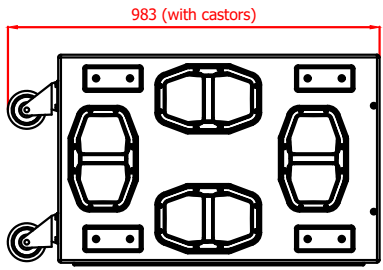


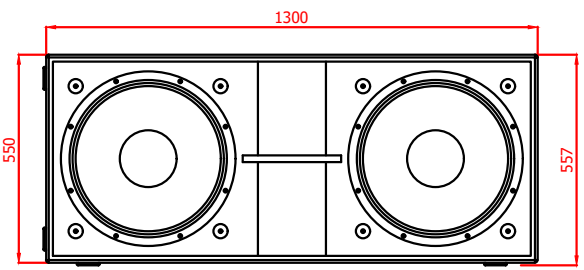
TOP



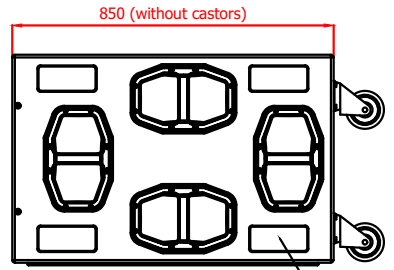
ISOMETRIC



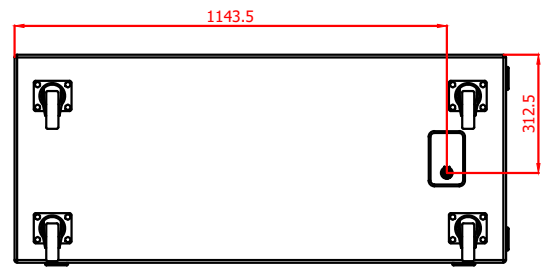
LEFT



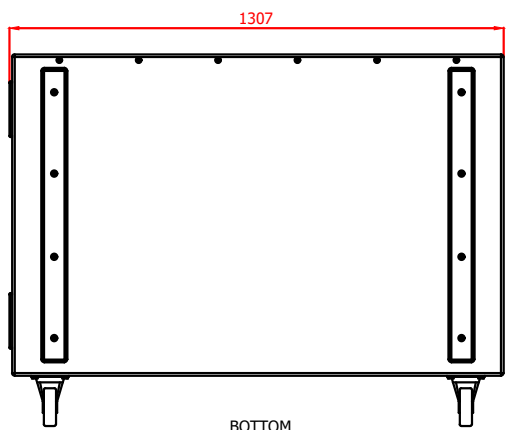
FRONT



RIGHT



REAR



BOTTOM

DRAWING:	S-218	VERSION:	2024	THIRD ANGLE PROJECTION 	
SCALE:	1:20	TOLERANCES: ALL LINEAR DIMS +/- 0.2mm ALL ANGULAR DIMS +/- 0.5			
ALL MEASUREMENTS IN MILLIMETERS					