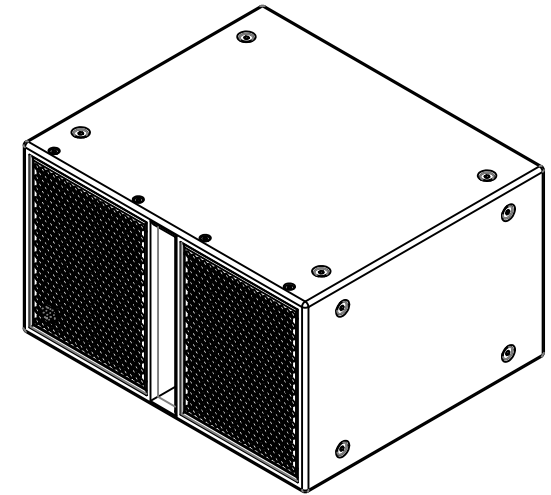
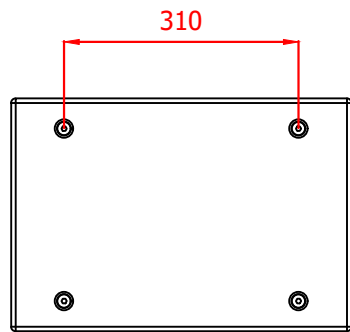


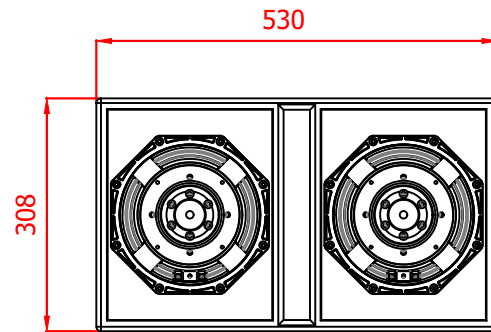
TOP



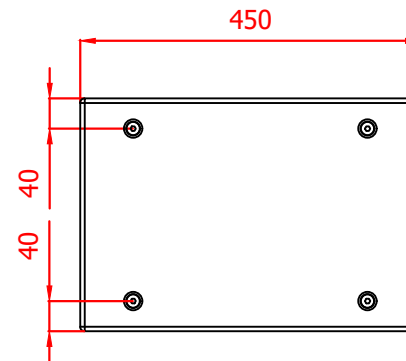
ISOMETRIC



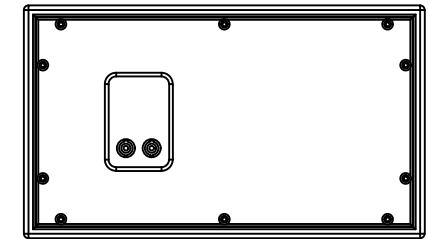
LEFT



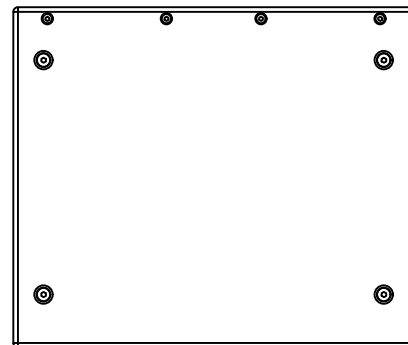
FRONT





RIGHT



REAR



BOTTOM

DRAWING:	S-48	VERSION:	2024	THIRD ANGLE PROJECTION 	 emacoustics
SCALE:	1:10	TOLERANCES: ALL LINEAR DIMS +/- 0.2mm ALL ANGULAR DIMS +/- 0.5			
ALL MEASUREMENTS IN MILLIMETERS					