

**The M-10 is an ultra-compact, low profile floor monitor designed for any application where compact yet powerful artist reference is required. The M-10 is ideally suited to applications where a very low profile and small footprint monitor is required, yet reasonable LF extension is still necessary. Utilising our latest passive crossover topologies, and the utmost in drive unit technology, this loudspeaker is completely passive yet outperforms many bi-amplified or processed designs.**

## FEATURES AND BENEFITS

- Signature EM Acoustics passive crossover for unprecedented frequency and phase response
- Astonishing LF performance for enclosure size
- Extremely compact and lightweight enclosure
- Precise, predictable HF coverage pattern

## APPLICATIONS

- Compact and discreet stage monitoring



The M-10 is a two-way passive floor monitor, using a 2.5" voice coil 10" (254mm) neodymium low frequency transducer. This low frequency drive unit is coupled via the internal passive crossover network to a 1.7" (44mm) diaphragm, 1" (25mm) exit neodymium compression drive unit. This drive unit loads onto a 80°H x 60°V constant-coverage horn, which yields not only consistent response throughout its operating band across the whole coverage pattern but also strong attenuation outside of this pattern. The result is a loudspeaker with extremely consistent and predictable coverage, as well as stunning sonic detail – and all with the ease of use that passive crossover technology brings.

The drive units are housed within a compact vented enclosure. The robust enclosure is constructed from premium 15mm (5/8") multi-laminate Birch plywood and is braced to minimise panel reflection. The enclosure

includes a pair of flush handles on the sides, and a pair of Neutrik® speakON™ NL4 connectors for input and enclosure link. The connectors are recessed on the rear for discreet cable management. Lastly, a tough hex-punched steel grille backed with acoustically transparent fabric protects the drive units from damage - which can be quickly removed for service purposes. The enclosure is finished in black impact and weather-resistant polyurethane as standard, however RAL colour matching options are also available.

The M-10 requires a single amplifier channel and should be used with professional power amplifiers capable of delivering 500-600W RMS into an 8-ohm load. For optimal results the DQ Series Advanced System Amplifiers should be used.

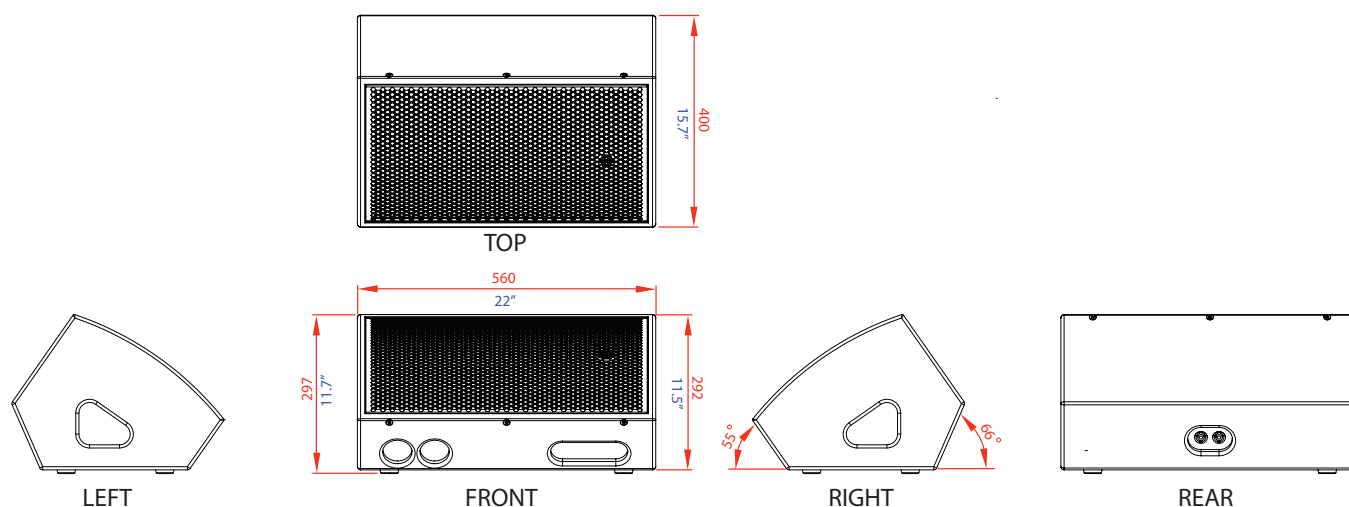
## TECHNICAL SPECIFICATIONS

ENCLOSURE TYPE:	Two-way passive, reflex loaded
DIMENSIONS (HxWxD)	297 (11.7) x 560 (22) x 400 (15.7) mm/(ins)
NET/SHIPPING WEIGHT:	17/19kg (37.4/41.8lbs)
FREQUENCY RESPONSE <sup>1</sup> :	70Hz – 20kHz ±3dB
SENSITIVITY <sup>2</sup> :	98dB
DISPERSION <sup>3</sup> :	80°H x 60°V
DRIVE UNITS:	10" (254mm) neodymium LF cone drive unit 1" (25mm) exit neodymium HF compression drive unit
LOUDSPEAKERS PER AMPLIFIER	DQ6: 2 per channel, DQ10: 4 per channel, DQ20: 4 per channel
POWER HANDLING:	300W RMS, 600W program
MAXIMUM SPL <sup>4</sup> :	122dB continuous, 128dB peak
NOMINAL IMPEDANCE:	8 ohms
CROSSOVER:	Asymmetric internal passive
CONNECTORS:	2 x Neutrik® speakON™ NL4
ENCLOSURE:	15mm (5/8") multi-laminate Birch plywood – rebated, screwed and glued, Finished in impact and weather resistant black polyurethane, or textured white paint
ENCLOSURE HARDWARE:	2 x flush handles 4 x rubber feet
GRILLE:	Fabric-backed perforated steel
OPTIONS:	Colours
SPARE PARTS:	DU-1001 10" drive unit CDU-1002 1" exit HF compression drive unit RD-1002 replacement HF diaphragm PX-M10 passive crossover assembly RFG-M10 replacement grille

### NOTES ON MEASUREMENT CONDITIONS:

<sup>1</sup>Measured on-axis at 2m in an anechoic environment and referenced to 1m. <sup>2</sup>Measured in half space at 2m with 4W sine wave input and referenced to 1m. <sup>3</sup>Nominal dispersion, measured in an anechoic environment and averaged over stated bandwidth. <sup>4</sup>Calculated and verified by subjective listening test of familiar program material.

## ENGINEERING DRAWING



## ENCLOSURE OPTIONS

M-10 enclosures are available as standard in black impact resistant polyurethane finish. M-10 enclosures can also be supplied finished in white Warnex water-based textured paint, and custom RAL colours can be supplied on request; extended lead times and set up costs apply. Please contact your EM Acoustics representative for details.