

TECHNICAL DATA SHEET

The X3-DF is a powerful, two-way bi-amplified horn-loaded enclosure, designed for dedicated downfill use underneath X3 arrays. The X3-DF utilises the same HF and MF horn designs as the main X3 enclosure, creating a line source which matches the X3 in both coverage angle and output SPL. The baffle of the X3-DF is set at the optimum angle to allow X3-DF enclosures to integrate with the main X3 array when used in a downfill role. The result is seamless vertical coverage across the whole array from a compact and lightweight package.

FEATURES AND BENEFITS

- Unrivalled horn-loaded system for incredible efficiency and SPL output
- Predictable dispersion pattern gives seamless integration of multiple elements in an array
- Fully integral flying hardware
- Integrated drive unit test system for swift fault-finding
- Dedicated downfill element for the X3 system

As with the X3, midrange frequencies are handled by an 8" (203mm) neodymium drive unit, loaded via a cylindrical phase plug onto an exponential/hyperbolic horn. High frequencies are handled by the same 6-wide array of 1" (25mm) exit neodymium compression drive units, forming a line source for extremely predictable coverage and seamless array integration.

Due to the highly predictable horizontal dispersion pattern, X3-DF enclosures tight-pack just like X3 enclosures. In this way, X3-DF enclosures simply extend the vertical coverage of each X3 enclosure within an array to approximately 70 degrees. The optimised baffle angle means the divide between enclosures simply disappears, creating one seamless array in both horizontal and vertical planes.

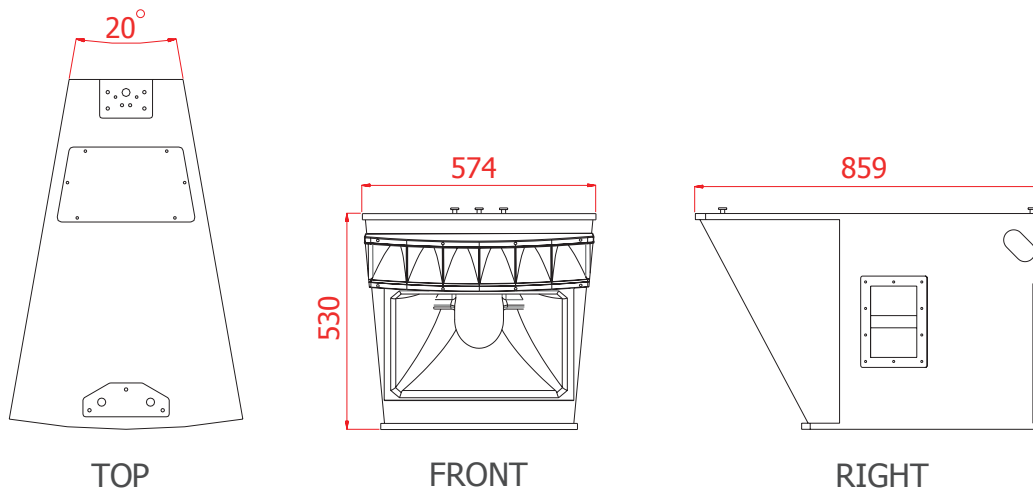
The enclosure is constructed from 15mm (5/8") multi-laminate Birch plywood - rebated, screwed and glued together for maximum strength. All fixings are stainless steel for longevity. The enclosure is finished in black textured paint as standard, however RAL colour matching and weather protection options are available. The enclosure is fitted with a keyhole rigging system which interfaces

directly with the hardware on the underside of X3 enclosures - for swift, safe and aesthetically pleasing array assembly. Two steel bar handles and two flush handles are provided on the sides for positioning the X3-DF underneath the X3 arrays.

Connections are made via a pair of Neutrik SpeakON™ NLT4MP connectors for input and enclosure link. Just as with the X3, included on the rear panel is the unique drive unit test system. This system, powered from a 9V battery, disconnects the input connectors and passes a low voltage current through all seven drive units. Visual indication of electrical continuity is given on the rear panel in a graphical layout, providing a quick and simple fault-finding solution.

The X3-DF requires an external DSP active crossover unit, and two amplifier channels - one each for MF and HF. These amplifiers should be capable of delivering a minimum of 400W and 600W program respectively into an 8 ohm load. For best results, EM Acoustics AQ-3 or AQ-10 amplifiers should be used.

ENGINEERING DRAWING



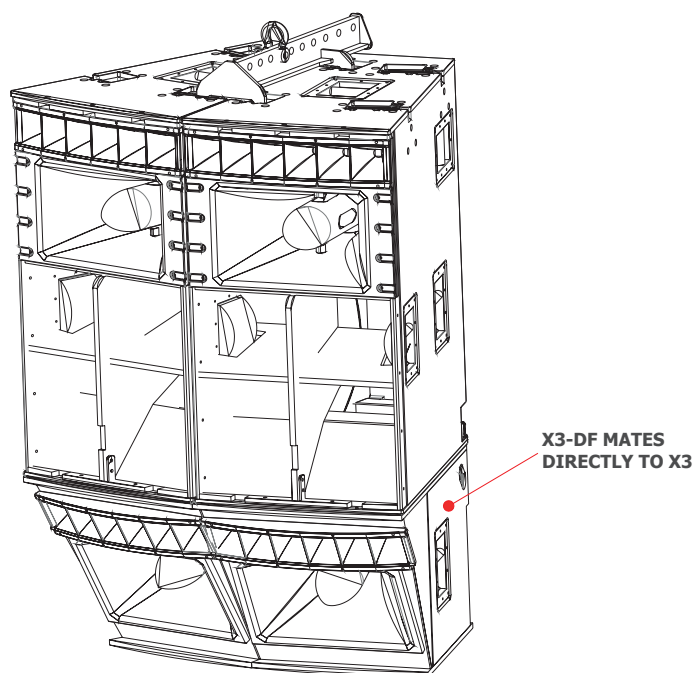
TECHNICAL SPECIFICATIONS

ENCLOSURE TYPE:	Two-way horn loaded
DIMENSIONS (HxWxD):	530 (20.9) x 574 (22.6) x 859 (33.8) mm/(ins)
NET/SHIPPING WEIGHT:	37/39kg (81.4/85.8lbs)
FREQUENCY RESPONSE ¹ :	200Hz – 20kHz +/- 3dB
SENSITIVITY ² :	MF: 108dB HF: 106dB
DISPERSION ³ :	20H x 40V
DRIVE UNITS:	8" (203mm) neodymium MF drive unit 6 x 1" (25mm) exit neodymium HF compression drive units
POWER HANDLING:	MF: 200W RMS, 400W program HF: 300W RMS, 600W program
MAXIMUM SPL ⁴ :	134dB continuous, 140dB peak
NOMINAL IMPEDANCE:	All frequency sections 8 ohms
CROSSOVER:	External active
CONNECTORS:	2 x Neutrik SpeakON™ NLT4MP
ENCLOSURE:	15mm (5/8") multi-laminate Birch plywood – rebated, screwed & glued. Finished in impact resistant textured paint
RIGGING & HARDWARE:	Integrated enclosure flying system 2 x steel bar handles 2 x flush handles Integrated drive unit test system
GRILLE:	Hex punched steel backed with acoustically transparent foam
OPTIONS:	Colours/Weather Protection
SPARE PARTS:	DU-804 8" drive unit CDU-1003 1" exit HF compression drive unit RK-804 recone kit RD-1003 replacement HF diaphragm RFG-X3DF replacement grille/foam

NOTES ON MEASUREMENT CONDITIONS:

¹Measured on-axis at 2m in an anechoic environment and referenced to 1m. ²Measured in half space at 2m with 4W sine wave input and referenced to 1m. ³Nominal dispersion, measured in an anechoic environment and averaged over stated bandwidth. ⁴Calculated and verified by subjective listening test of familiar program material.

RIGGING ACCESSORIES



ENCLOSURE OPTIONS

X3-DF enclosures are supplied as standard in black. Any RAL colour can be supplied on request (extended lead time and setup charges apply). Weather protection options are also available to give enhanced protection to the loudspeaker when used outdoors for extended periods of time.