

The EMS-215 is a compact yet powerful subwoofer, intended to support fullrange loudspeakers from the EMS Series. The quasi-bandpass vented enclosure provides excellent transient response and low frequency reproduction without the aid of corrective equalisation.

FEATURES AND BENEFITS

- High power-to-size ratio
- Exceptional frequency and impulse response ensure fast, accurate low frequencies
- Compact size and light weight for ease of use and installation
- Flexible options for use with fullrange products

EMS-215 utilises a pair of high excursion 15" (381mm) drive units with 4" (102mm) voice coils. The EMS-215 is fitted with neodymium magnet drive units, to keep weight to a minimum for touring applications.

The enclosure is constructed from premium 18mm (3/4") multi-laminate Birch plywood - rebated, screwed & glued together for maximum strength. This features four flush handles, and two full length and one short 35mm polemount sockets are provided to support fullrange enclosures above the subwoofer. The EMS-215 features a hex-punched steel grille backed by acoustically transparent black foam to protect the drive units from damage and moisture, and are supplied with four tour-grade castors. Two Neutrik SpeakON™ NL4MPR connectors are provided on a recessed rear panel for input and

TECHNICAL SPECIFICATIONS

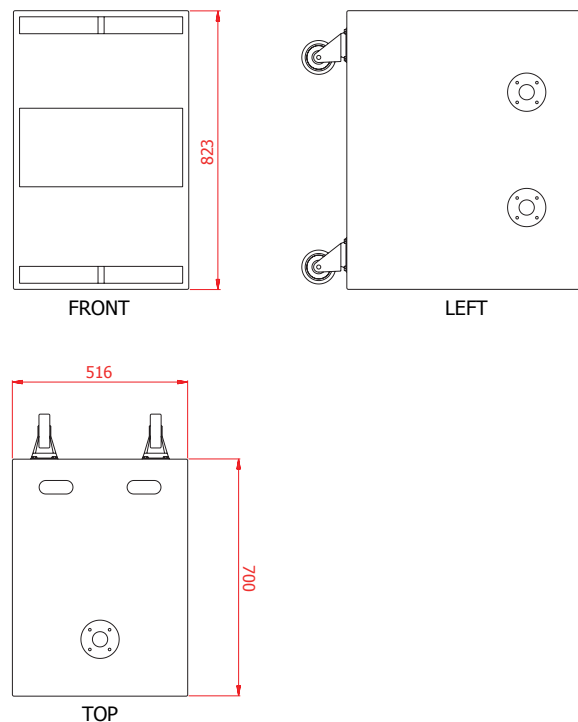
ENCLOSURE TYPE:	Dual driver quasi-bandpass subwoofer
DIMENSIONS (HxWxD):	823 (32.4) x 516 (20.3) x 700 (27.6) mm/(ins)
NET/SHIPPING WEIGHT:	67.8kg net/70.8kg shipping (149.2lbs/155.8lbs)
FREQUENCY RESPONSE <sup>1</sup> :	42Hz – 160Hz +/- 3dB
SENSITIVITY <sup>2</sup> :	102dB
DISPERSION <sup>3</sup> :	Omnidirectional
DRIVE UNITS:	2 x 15" (381mm) LF cone drive unit
POWER HANDLING:	800W RMS, 1600W program
MAXIMUM SPL <sup>4</sup> :	131dB continuous, 137dB peak
NOMINAL IMPEDANCE:	4 ohms
CROSSOVER:	Active, recommended below 150Hz (24dB/Octave L-R)
CONNECTORS:	2 x Neutrik SpeakON™ NL4MPR
ENCLOSURE:	18mm (3/4") multi-laminate Birch plywood – rebated, screwed & glued. Finished in impact resistant textured paint
RIGGING & HARDWARE:	4 x flush handles 3 x 35mm polemount sockets (2 long, 1 short)
GRILLE:	Foam-backed hex punched steel
OPTIONS:	Colours/Weather Protection
ACCESSORIES:	TC-215 padded touring cover
SPARE PARTS:	DU-1504 15" (381mm) drive unit RK-1504 recone kit RFG-215 replacement foam/grille



enclosure link. The enclosure is finished in black or white textured paint as standard, however weather-protection options as well as custom RAL code colours are also possible.

EMS-215 subwoofers can add low frequency power and extension to systems based around the EMS-81X, EMS-121X or EMS-122 fullrange enclosures. The EMS-215 requires active high/low pass filters and a single amplifier channel capable of delivering 1200- 1600W RMS into a 4 ohm load. For best results the EM Acoustics AQ-10 or AD-9 amplifiers should be used.

ENGINEERING DRAWING



NOTES ON MEASUREMENT CONDITIONS:

<sup>1</sup>Measured on-axis at 2m in an anechoic environment and referenced to 1m. <sup>2</sup> Measured in half space at 2m with 4W sine wave input and referenced to 1m. <sup>3</sup>Nominal dispersion, measured in an anechoic environment and averaged over stated bandwidth. <sup>4</sup>Calculated and verified by subjective listening test of familiar program material.

